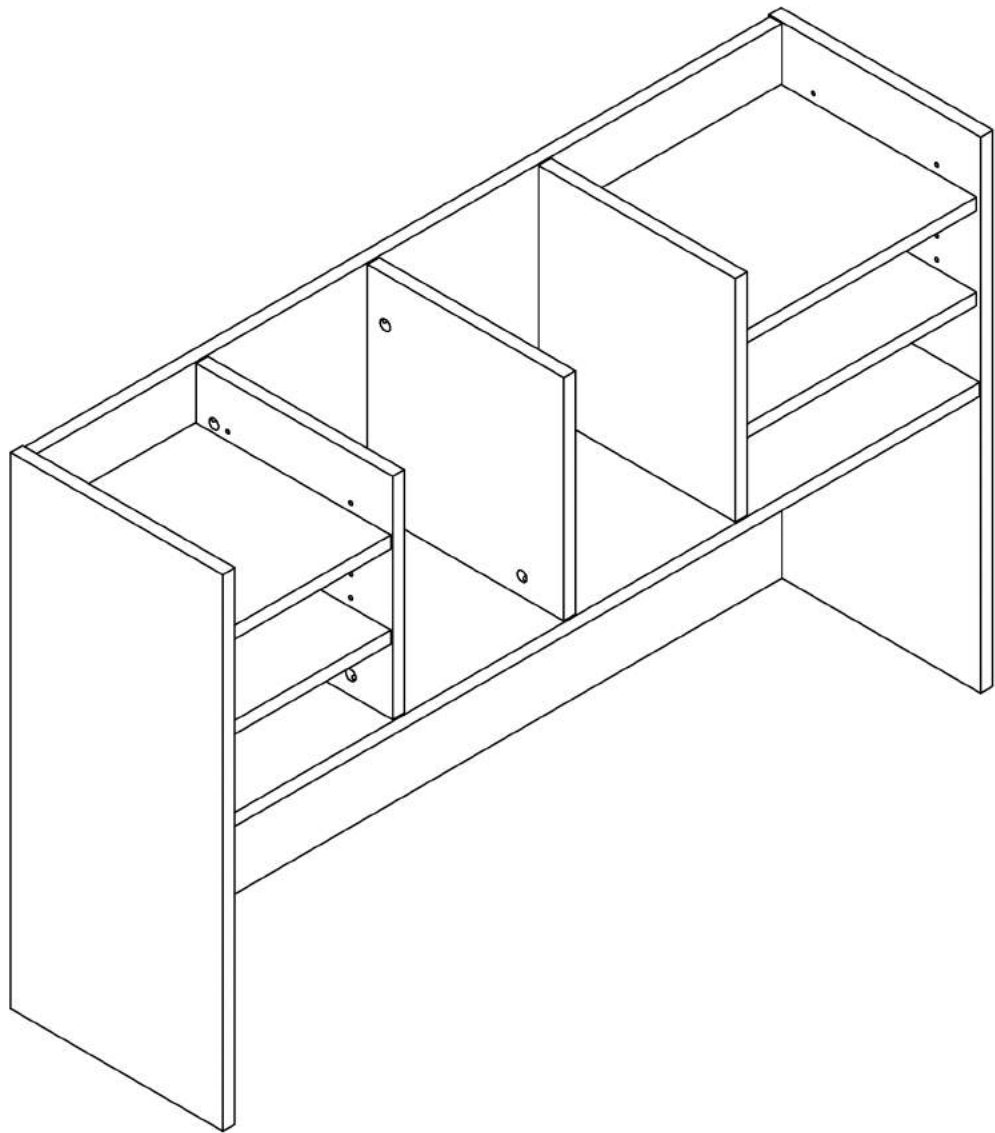
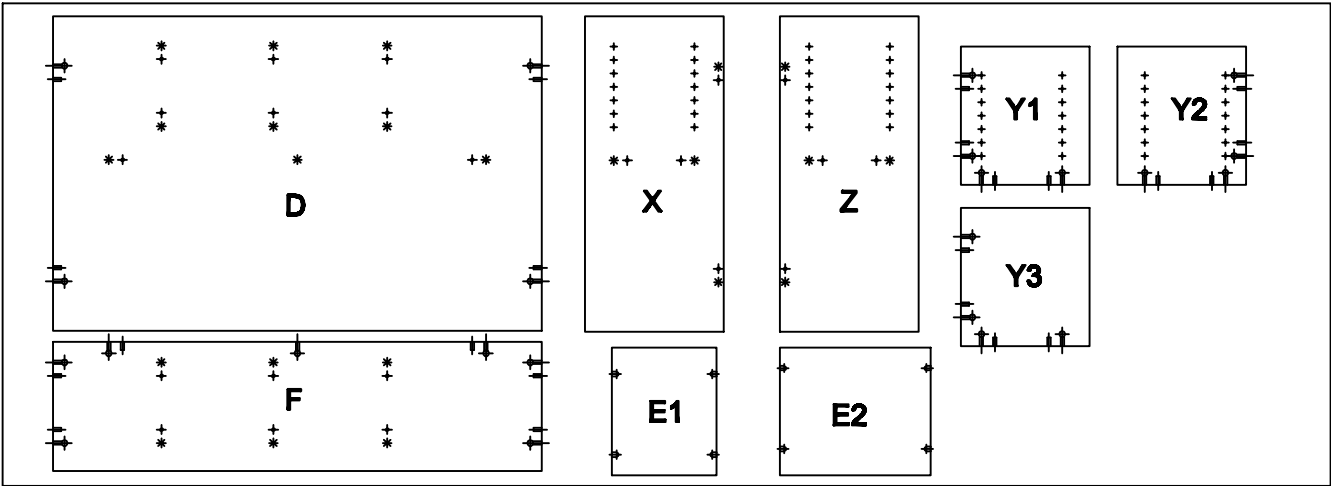






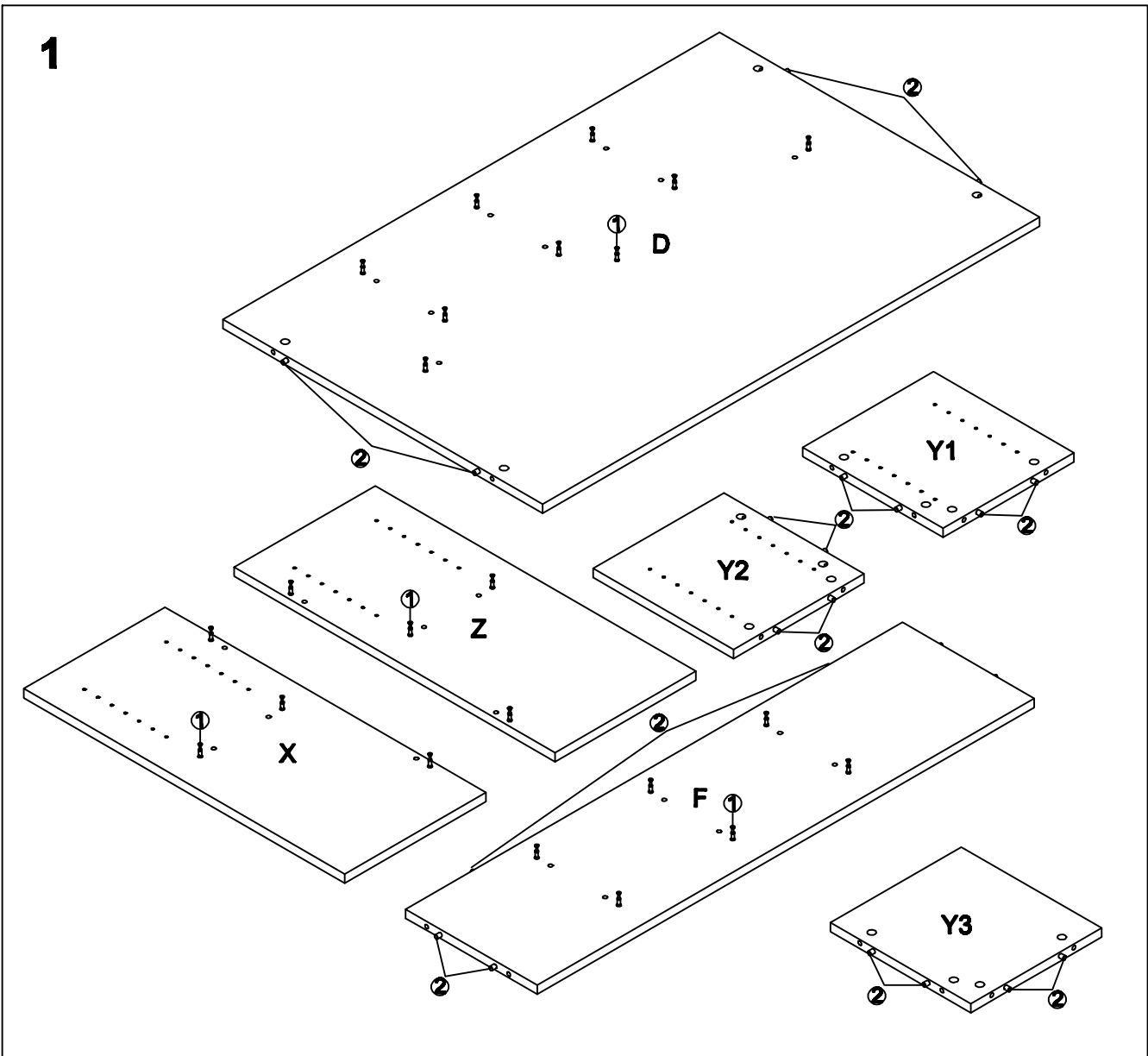
# ASSEMBLY INSTRUCTIONS

## R20-DC12

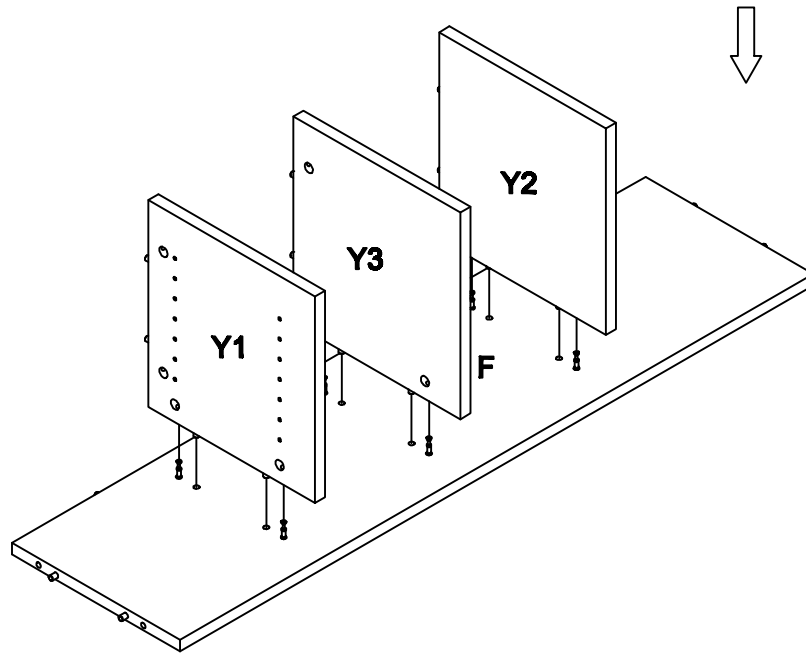




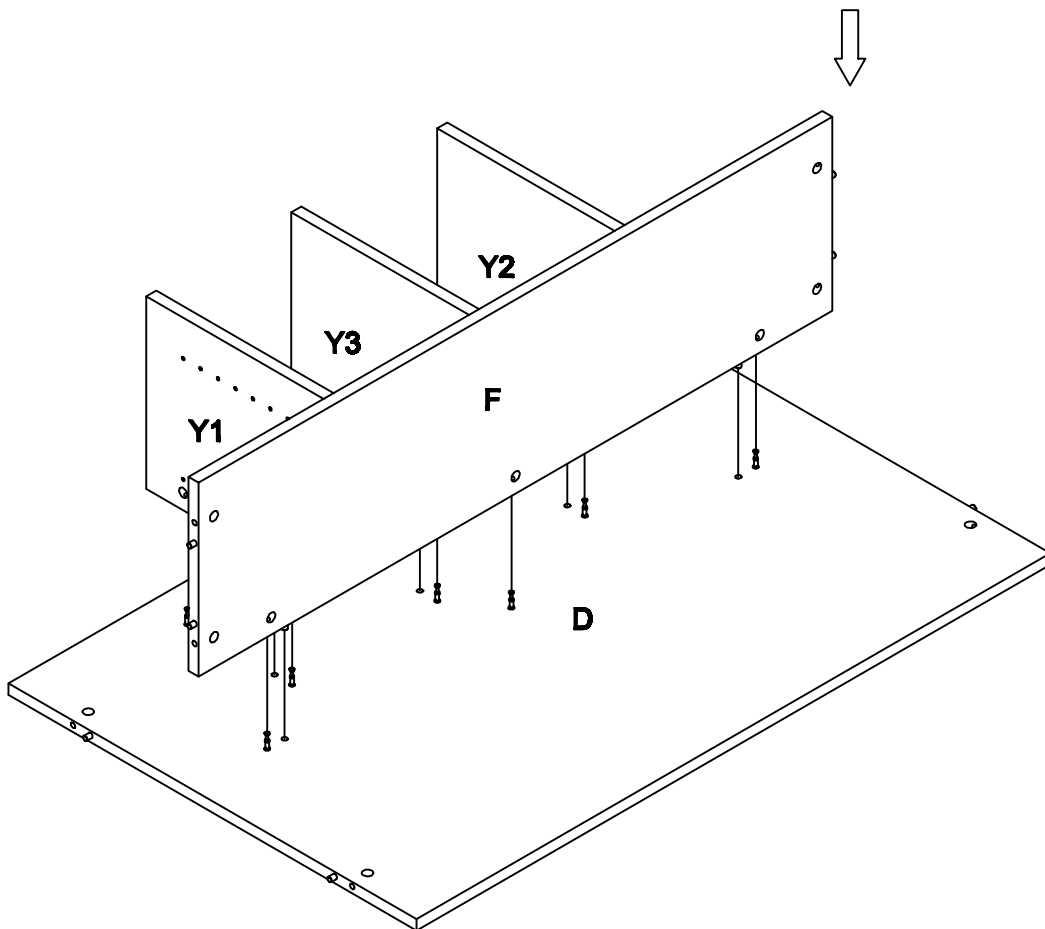
<p>pin 6x35</p>  <p>①</p> <p>23PCS</p>	<p>Dowel 6x30</p>  <p>②</p> <p>22PCS</p>	<p>Cam Cover</p>  <p>③</p> <p>23PCS</p>	<p>Bot Minifix</p>  <p>④</p> <p>18PCS</p>
---	---	--	--



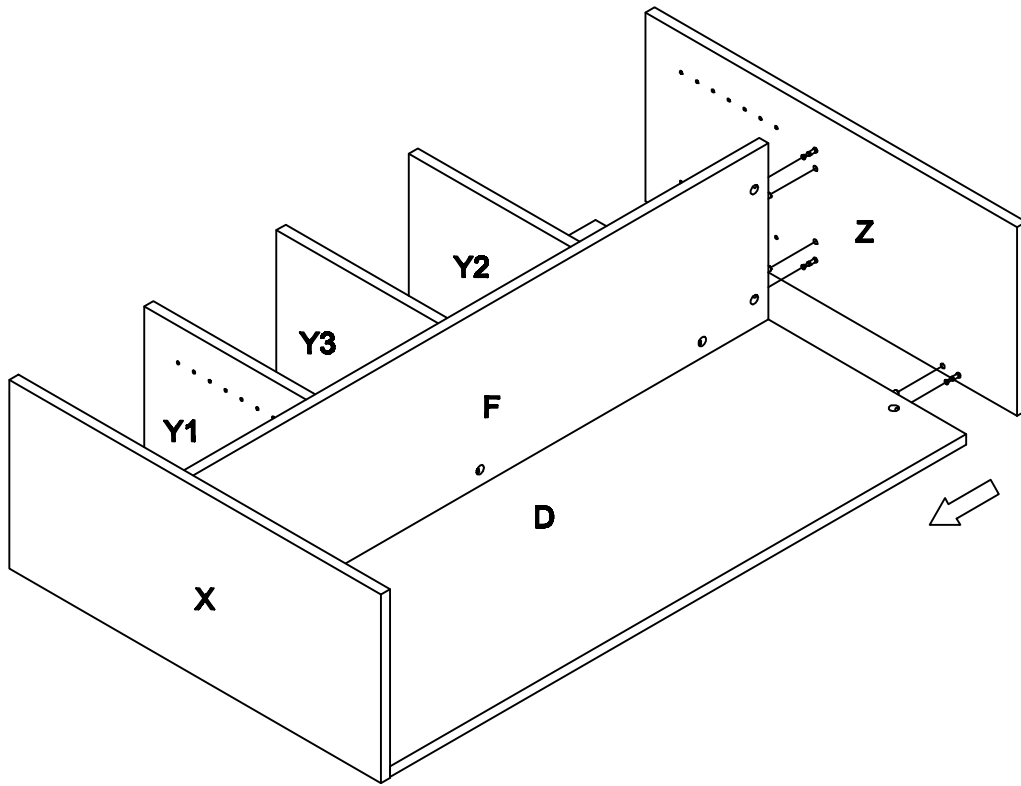
**2**



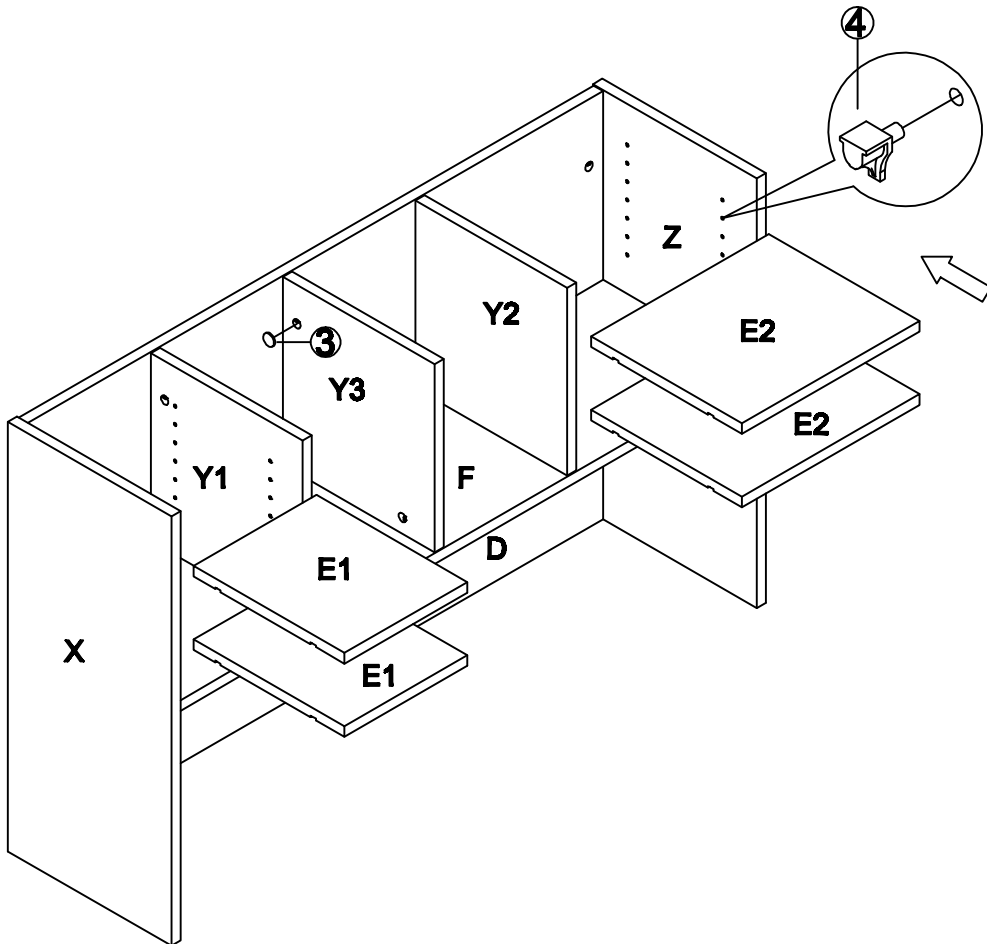
**3**



**4**

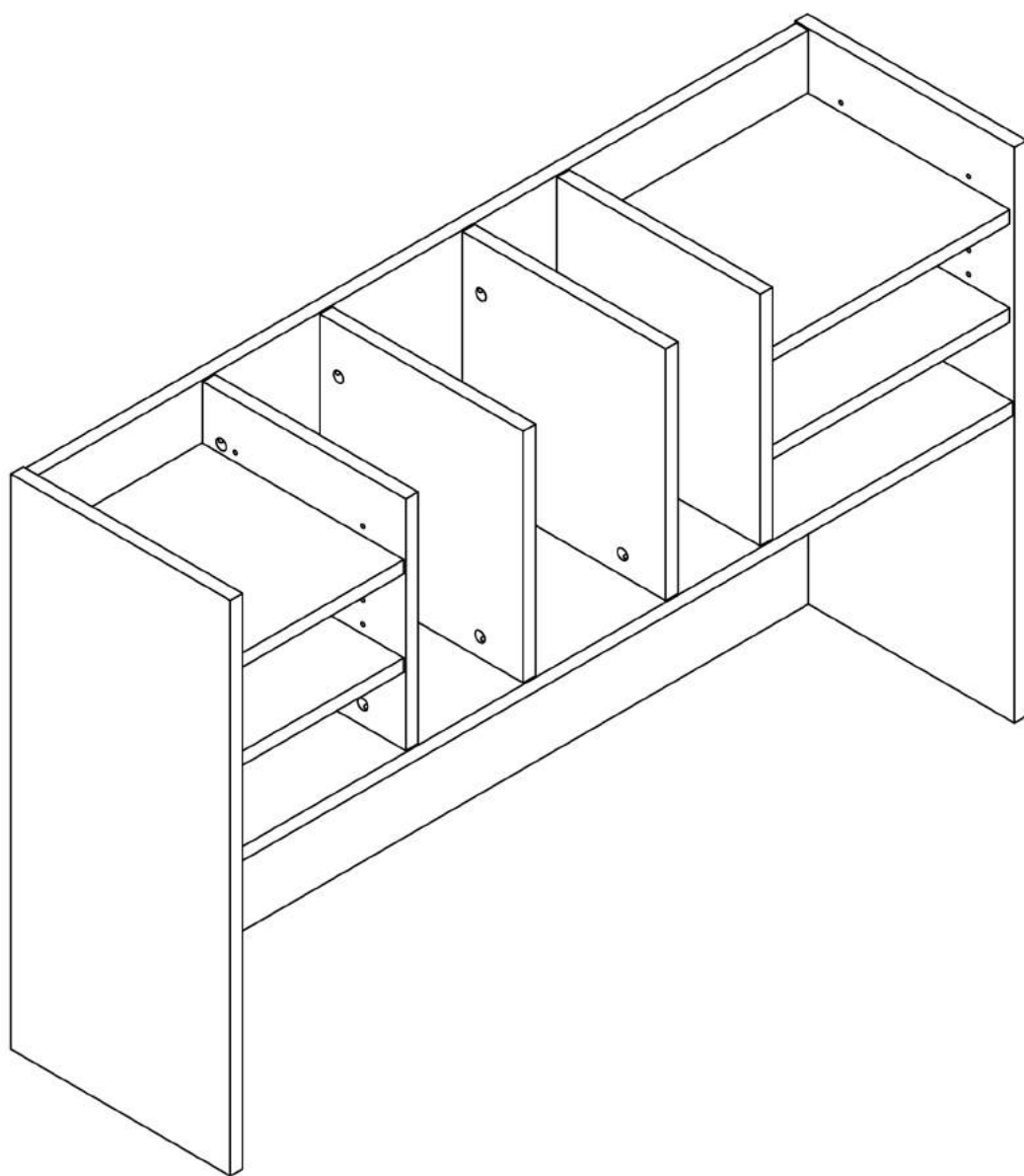


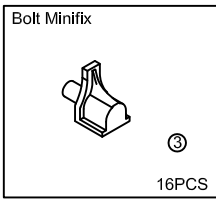
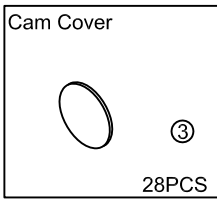
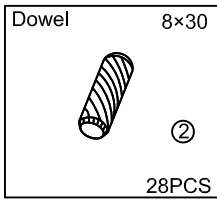
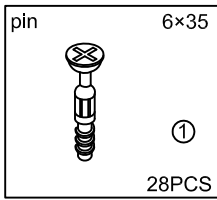
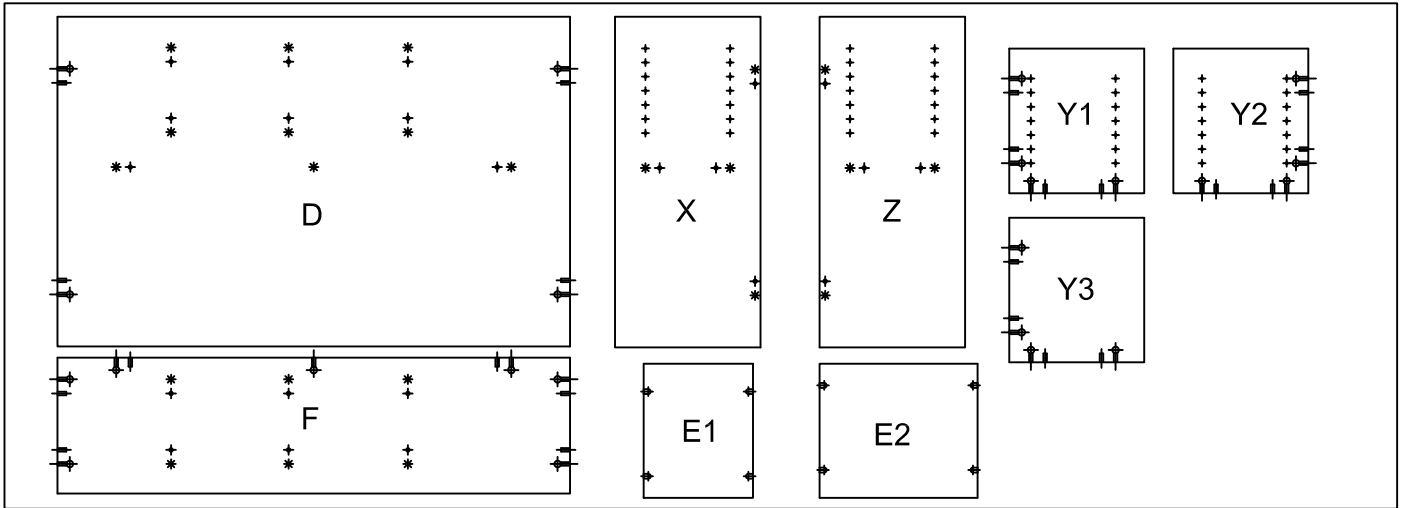
**5**



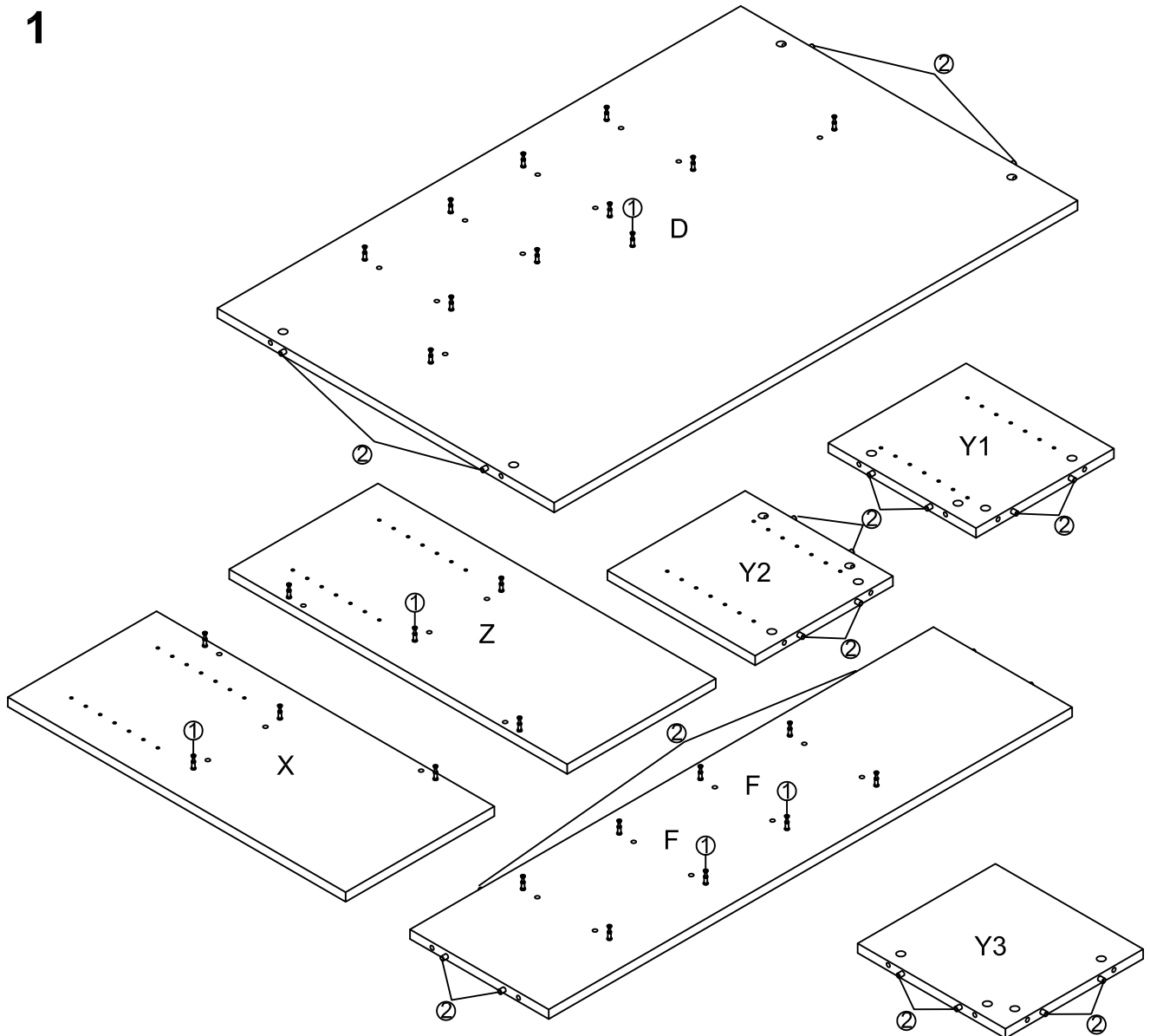
READY2GO

**ASSEMBLY INSTRUCTIONS  
R20-DC15**

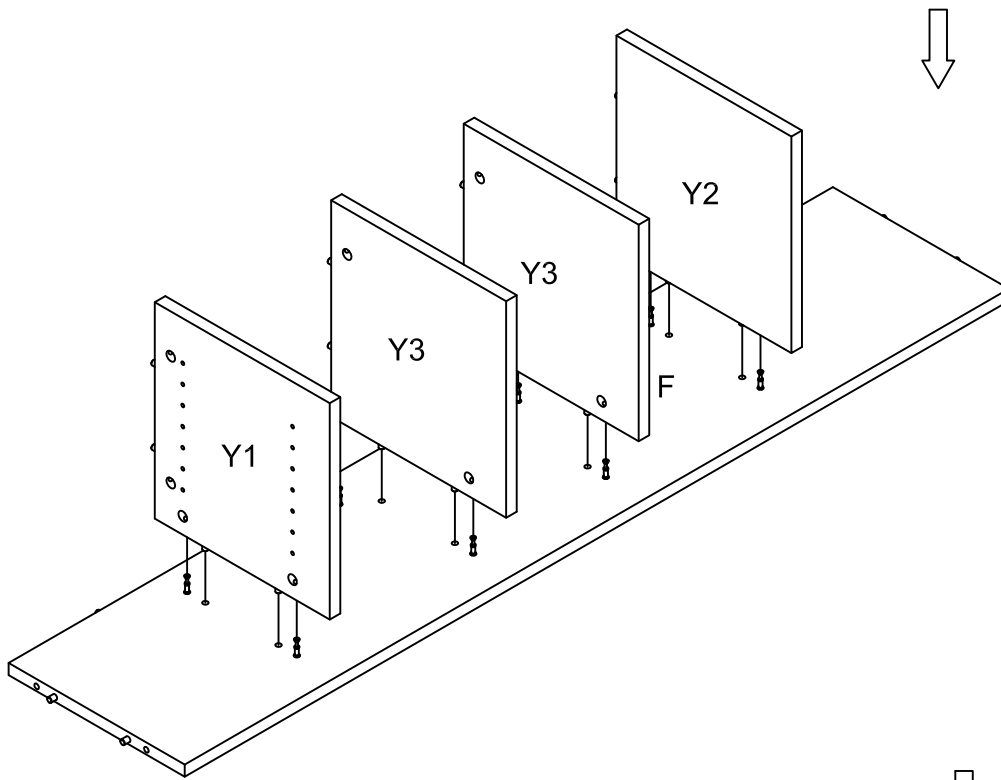




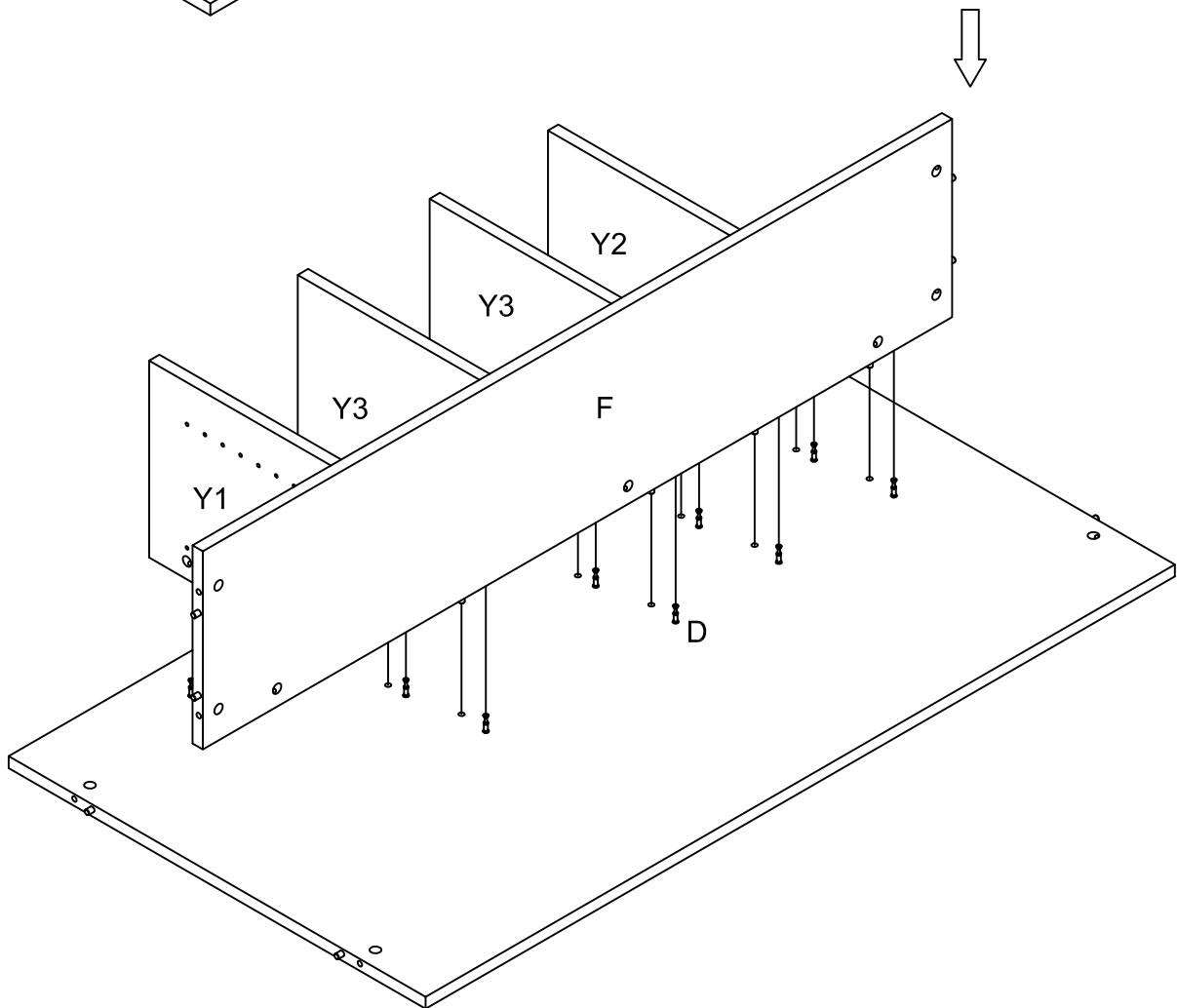
1



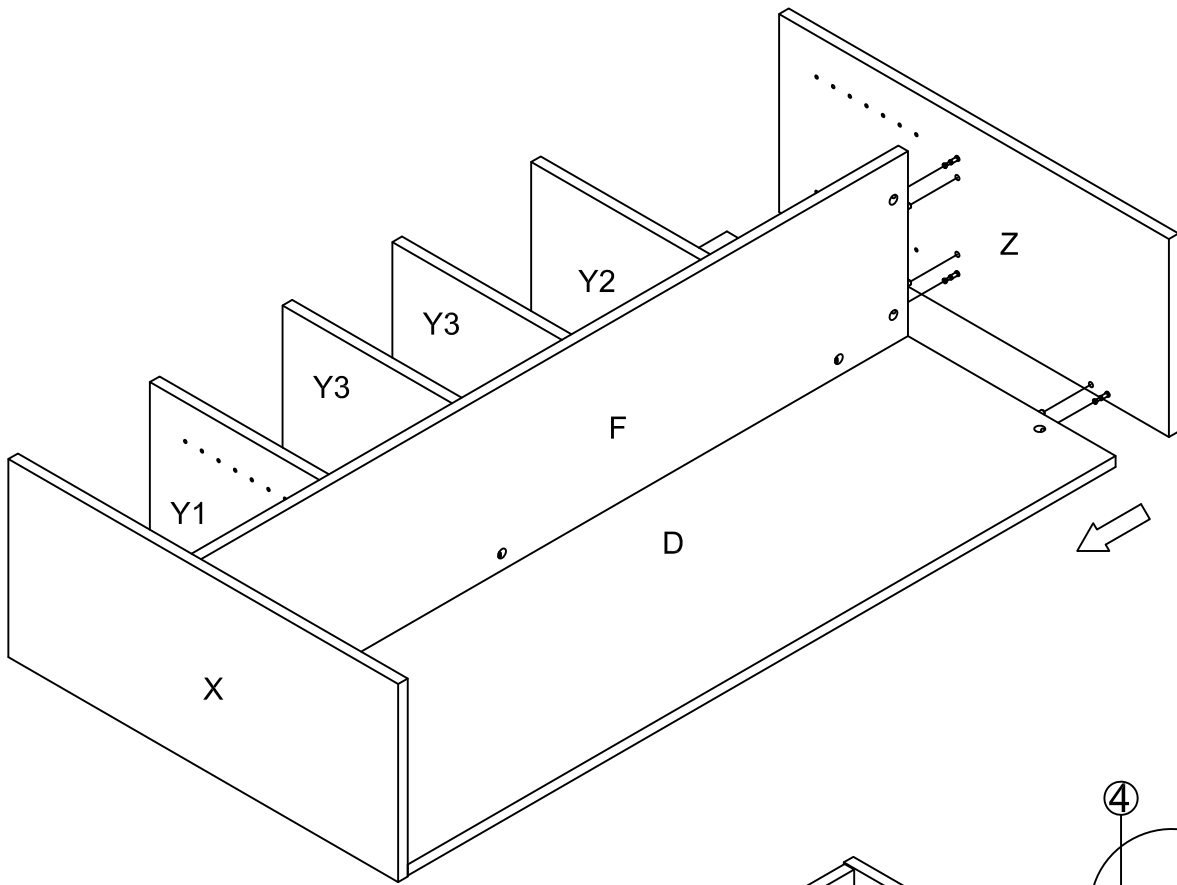
2



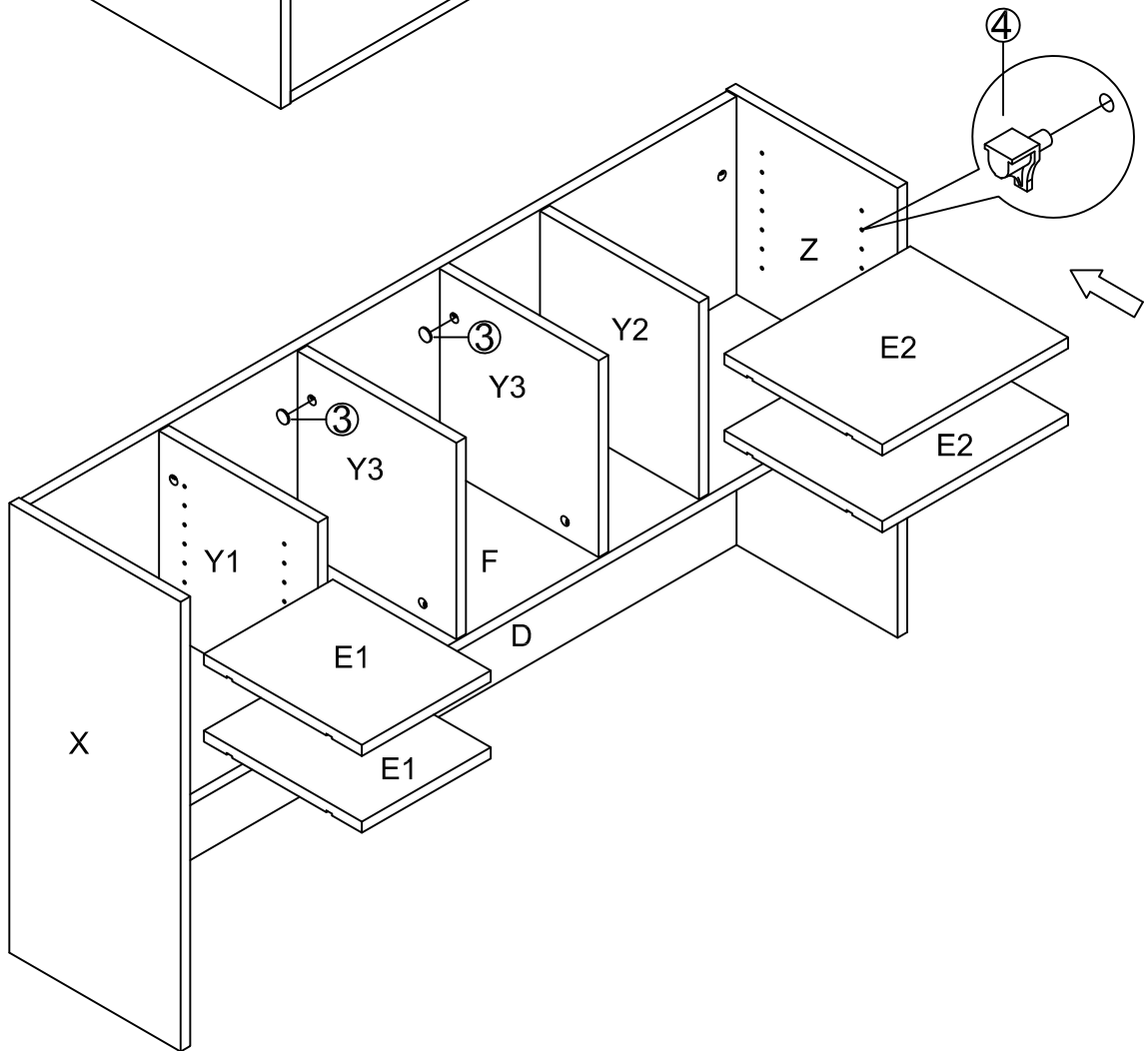
3



4



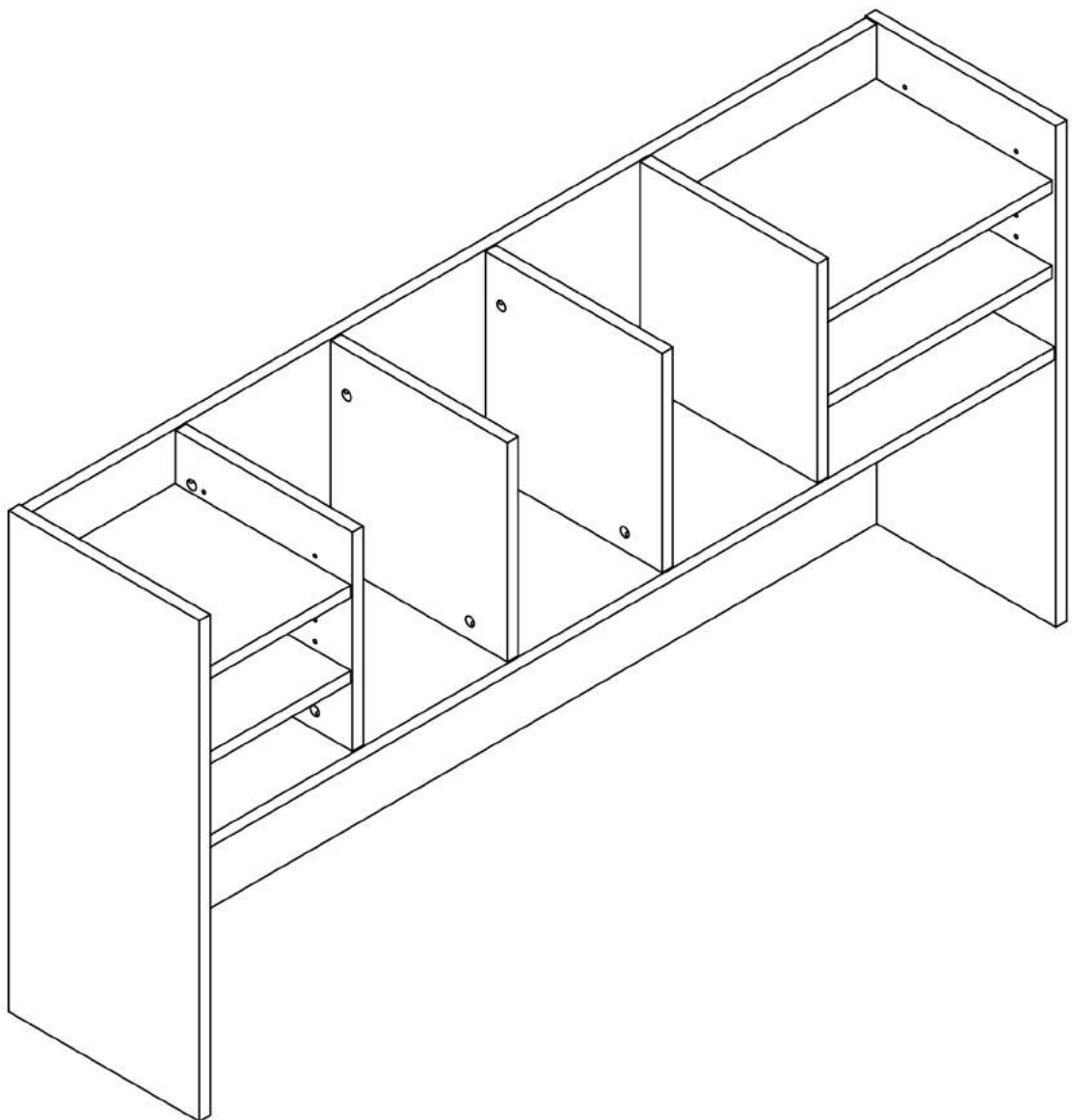
5

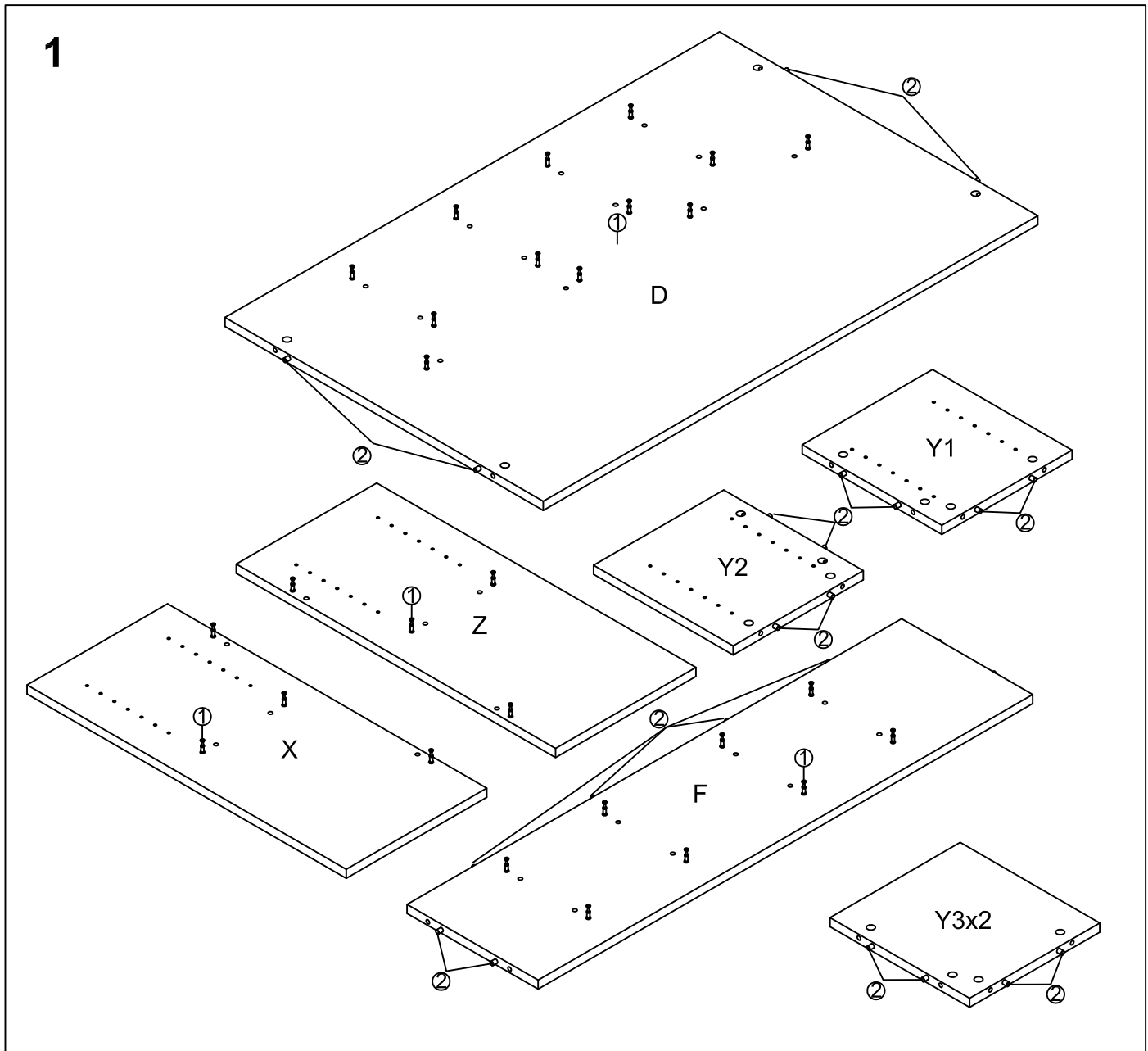
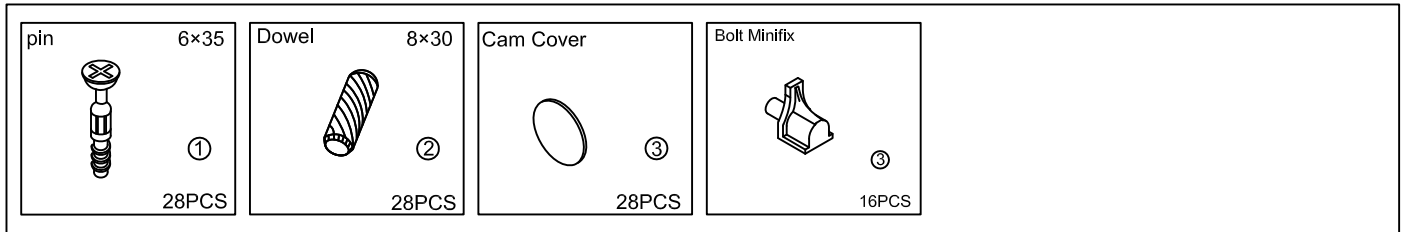
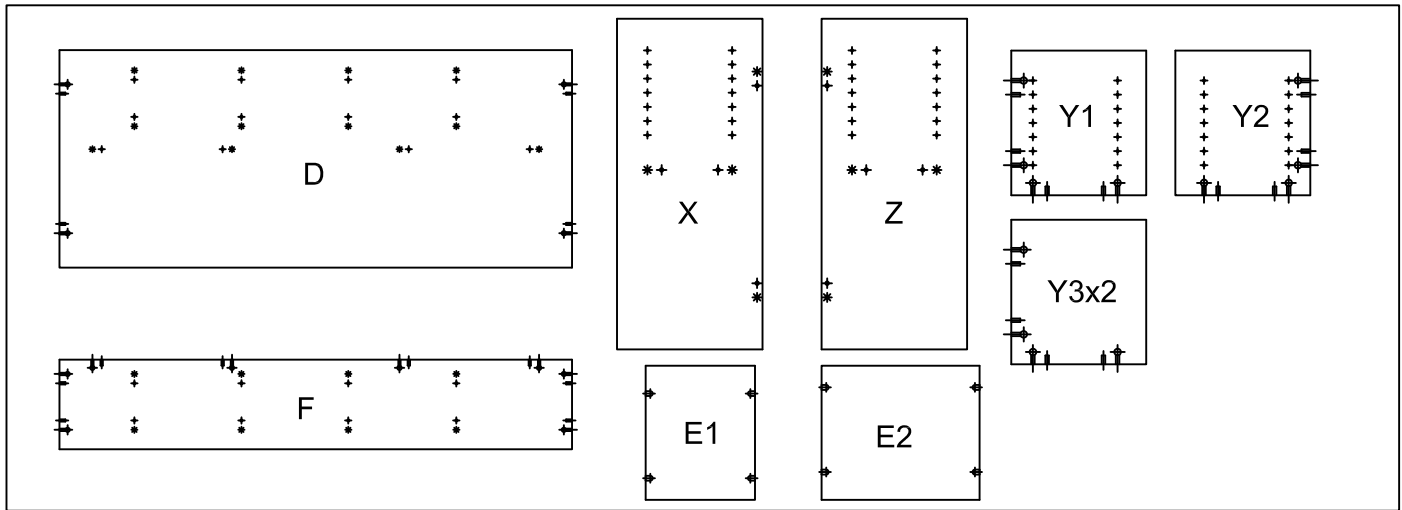




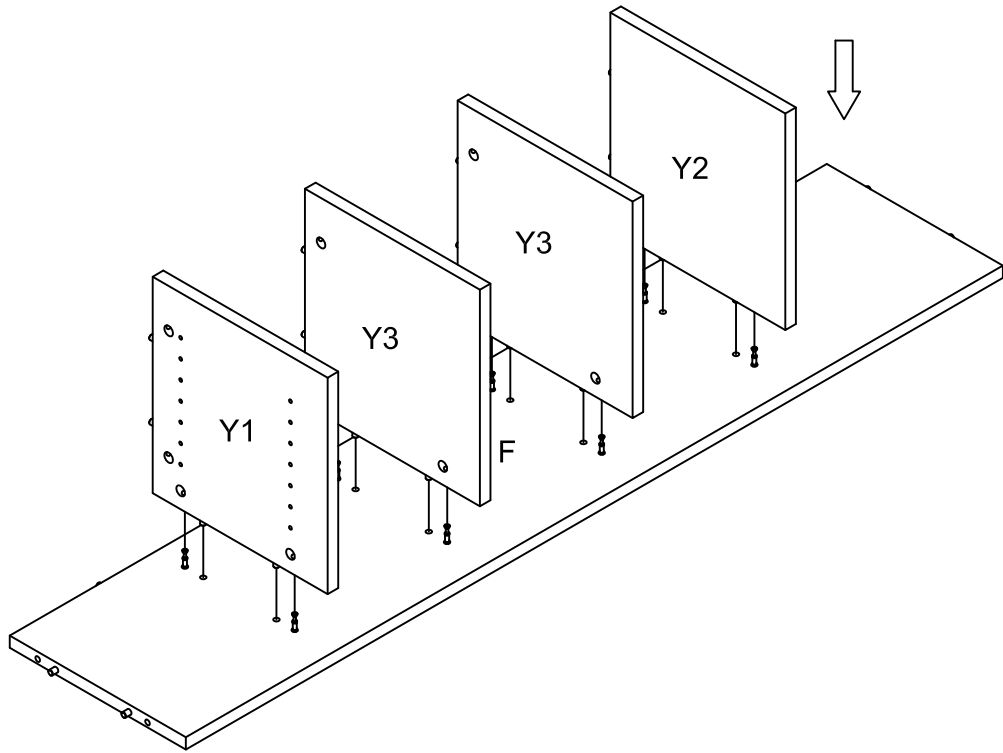
READY2GO

**ASSEMBLY INSTRUCTIONS  
R20-DC18**

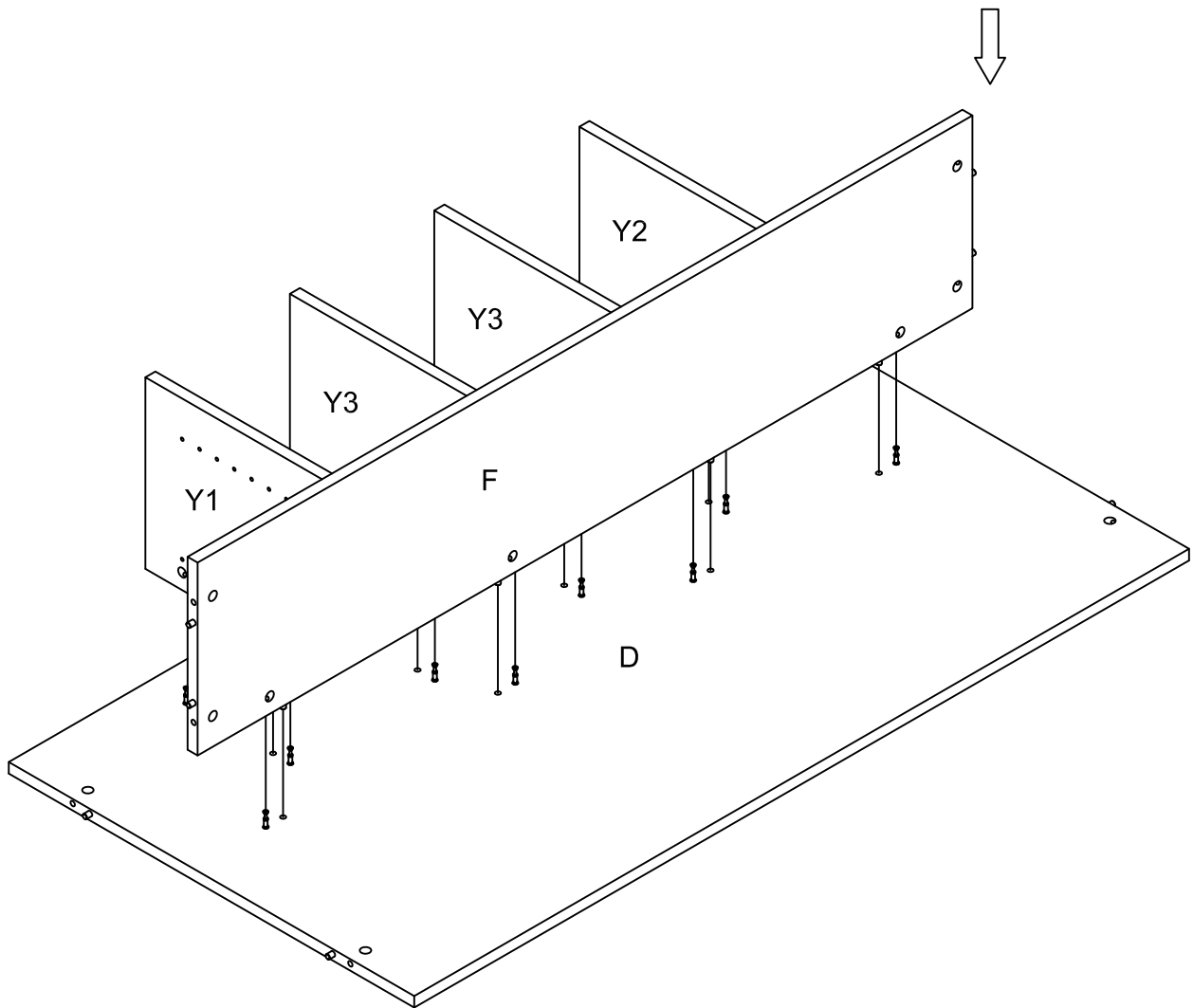




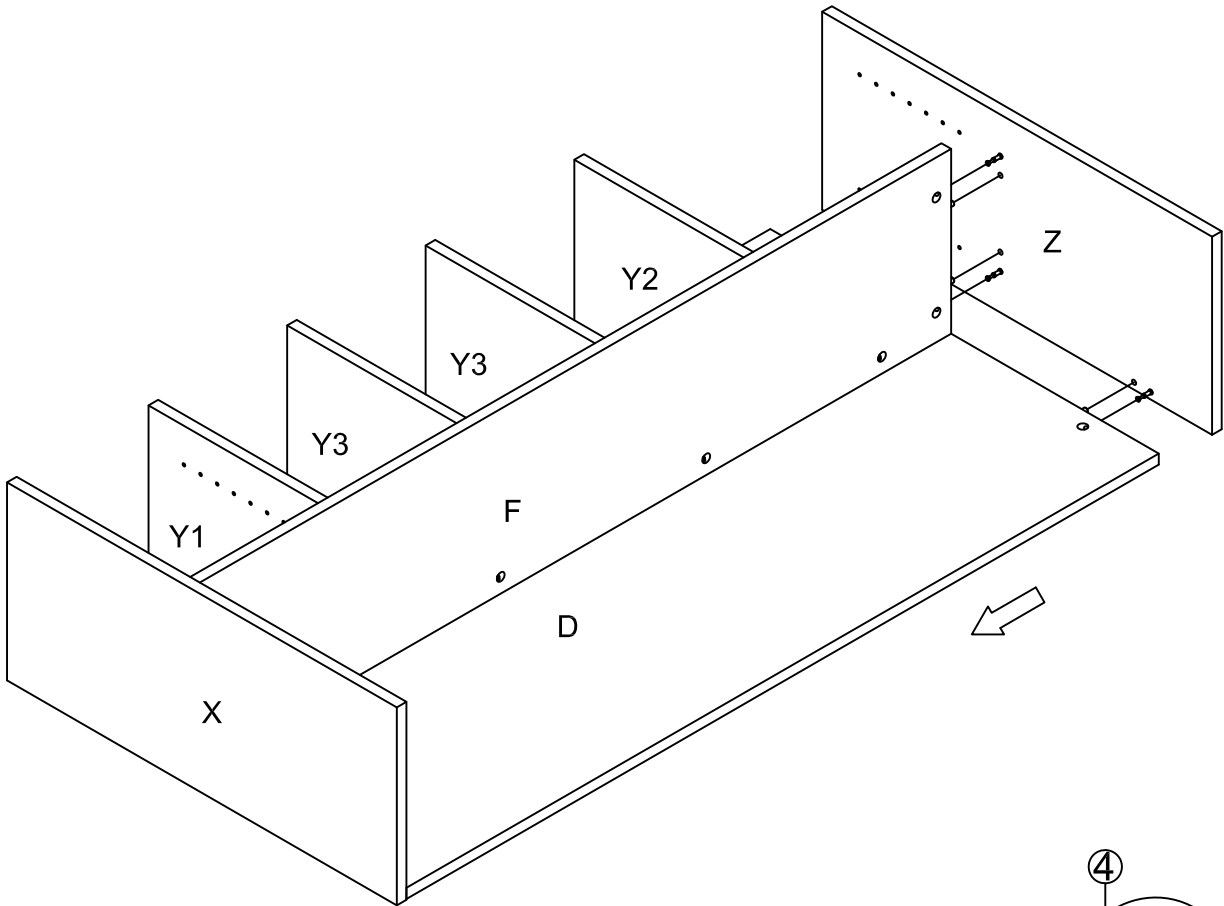
2



3



4



5

