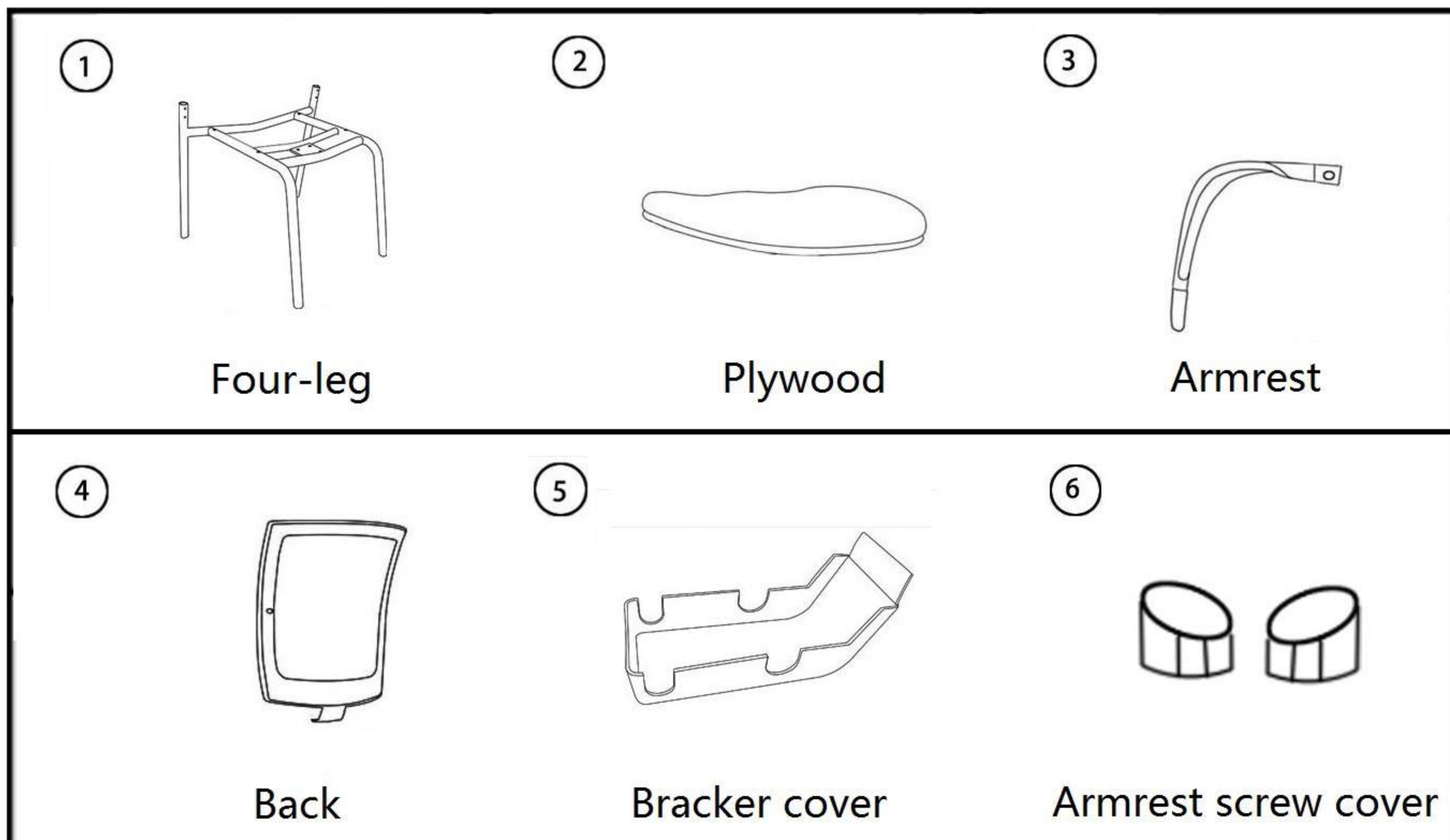
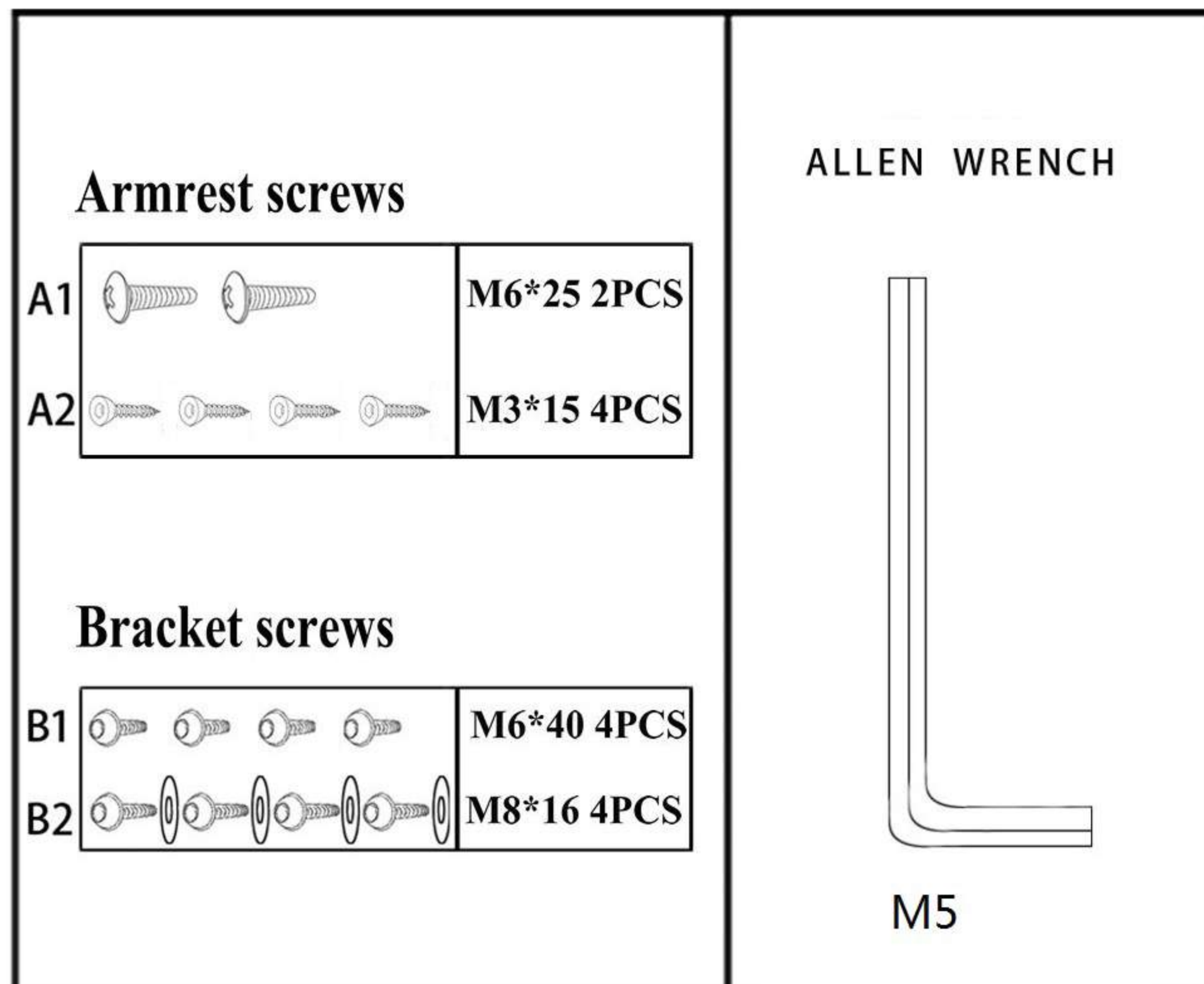


ASSEMBLY INSTRUCTIONS

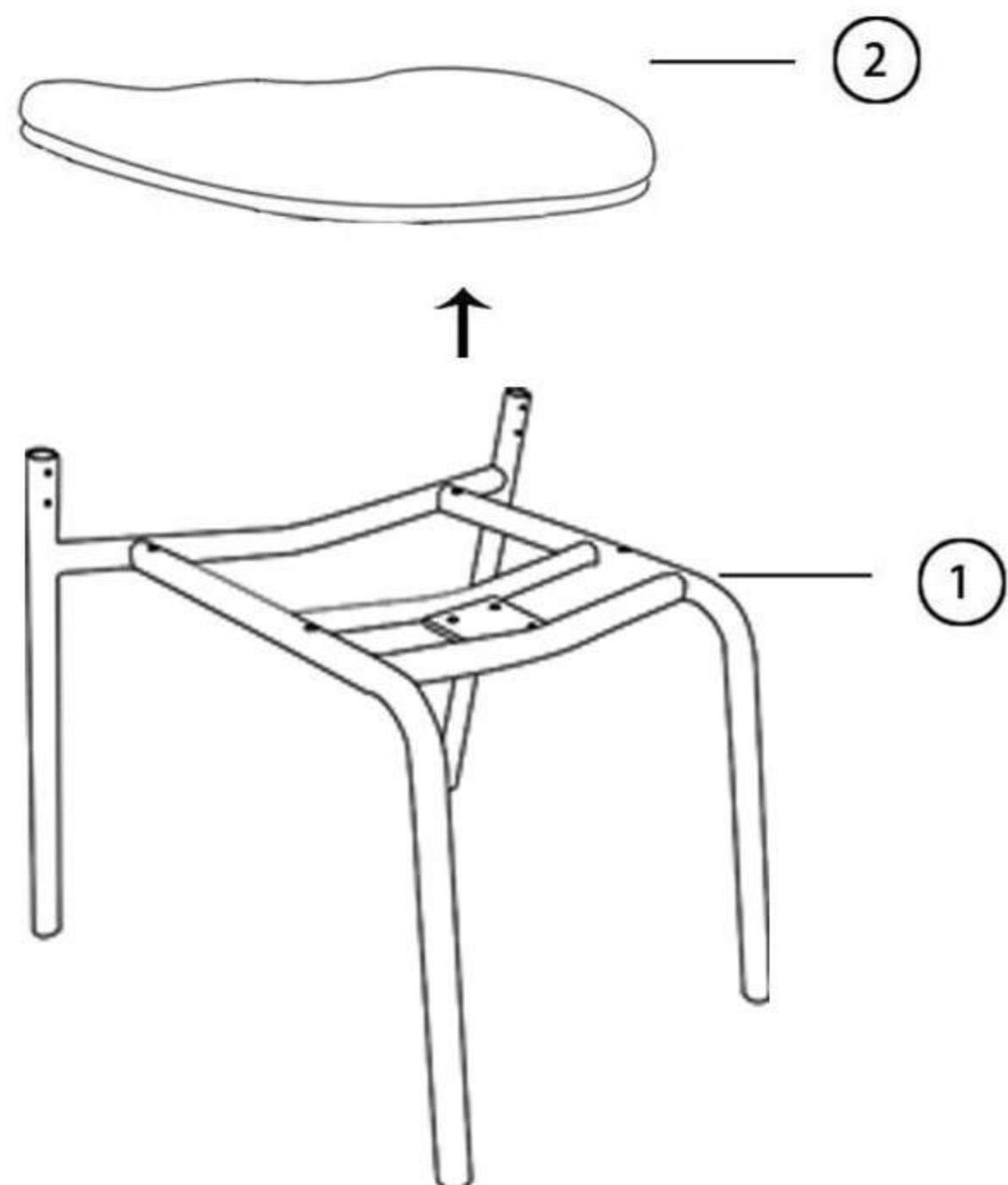
PARTS LIST



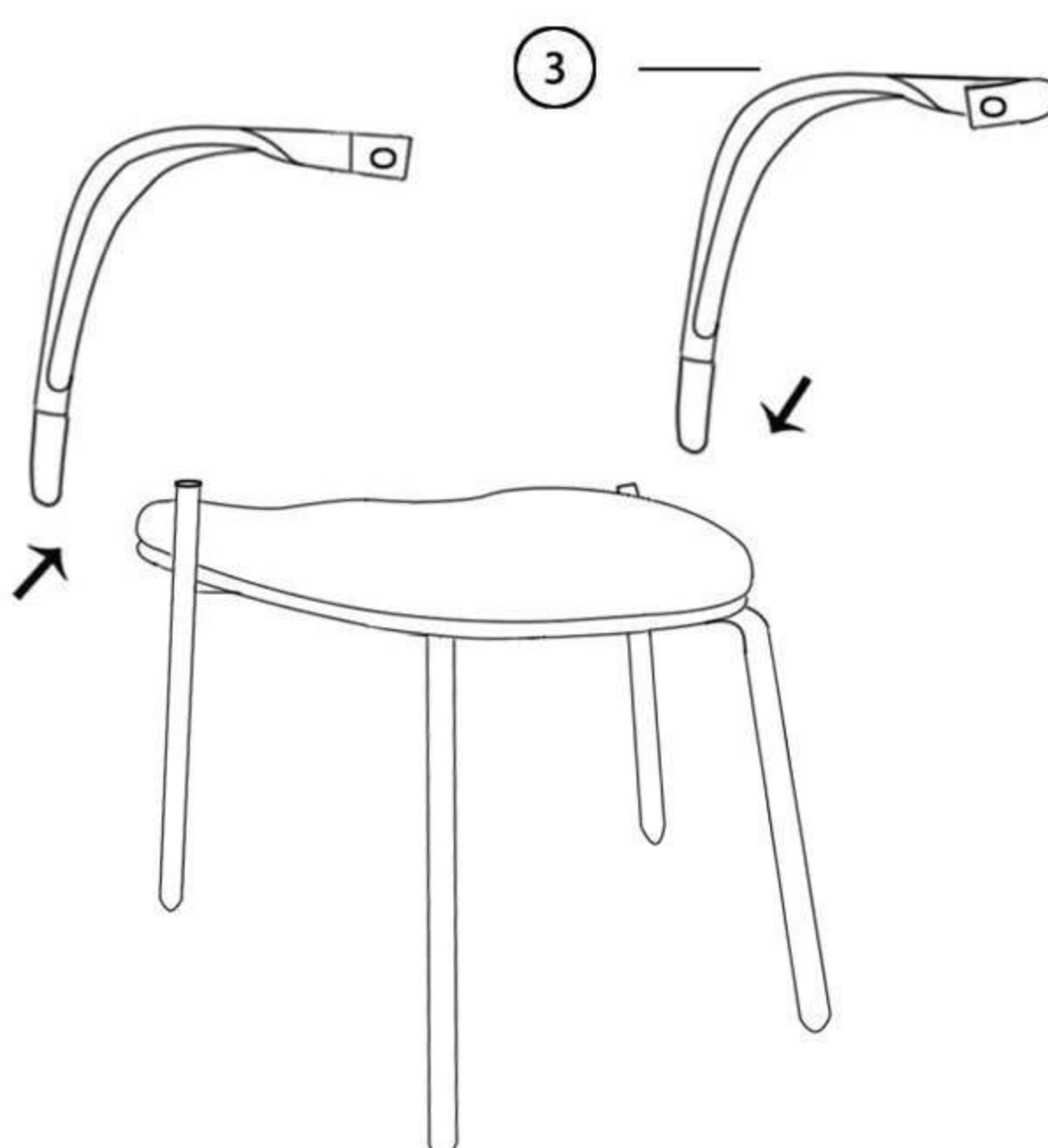
HARDWARE



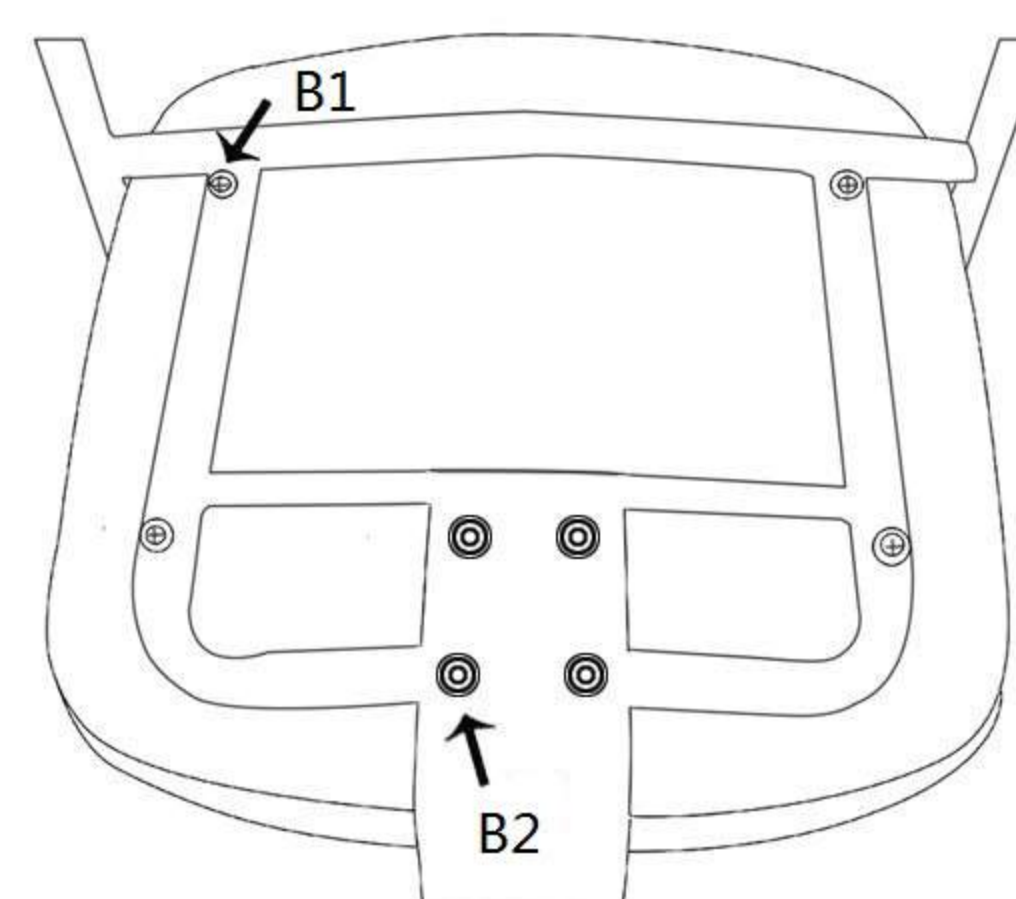
STEP 1.



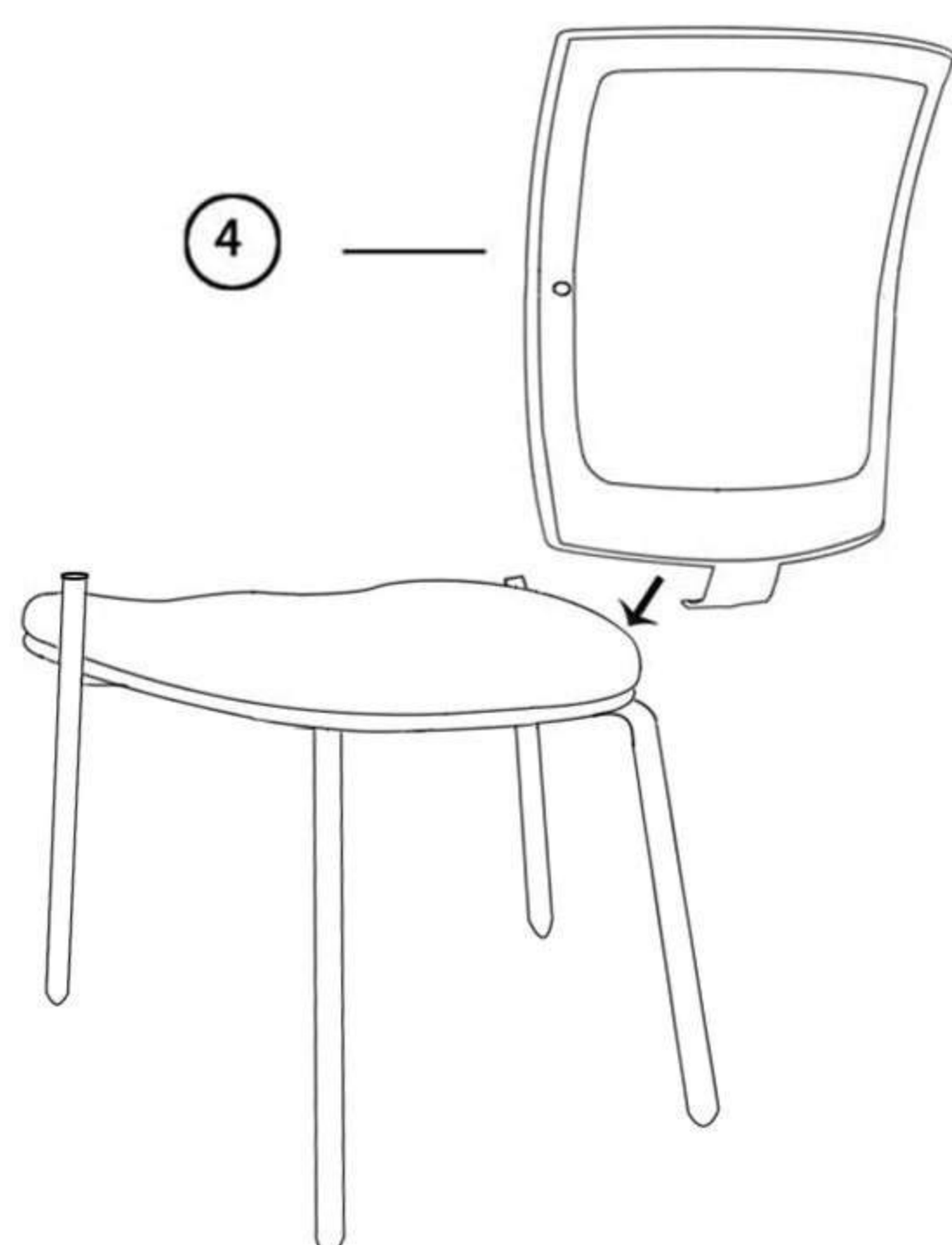
STEP 2.



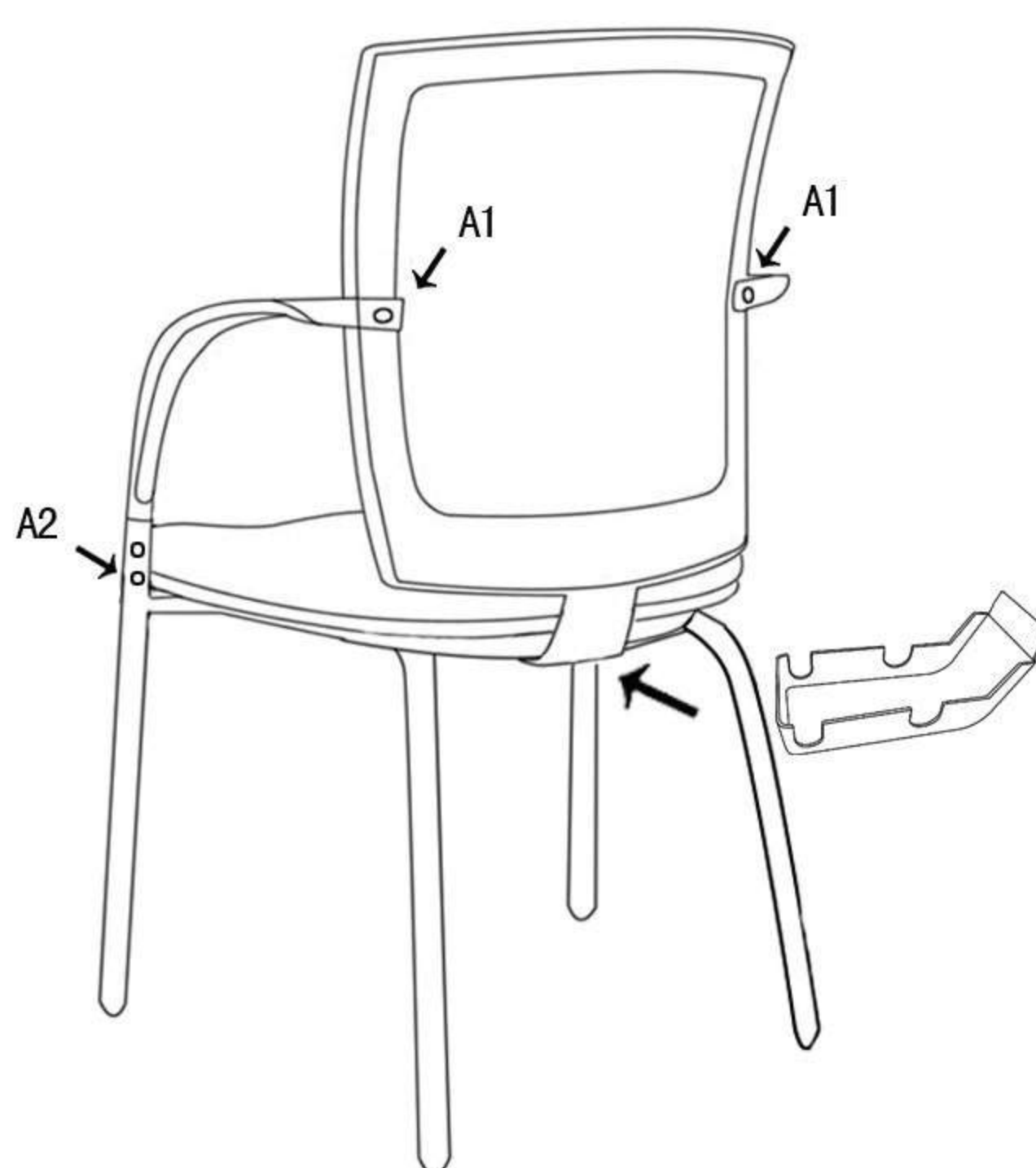
STEP 3.



STEP 4.



STEP 5.



PREVENTIVE MAINTENANCE AND WARNING

1. USE THIS PRODUCT ONLY FOR SEATING ONE PERSON AT A TIME
2. DO NOT USE THIS CHAIR AS A STEP STOOL/LADDER.
3. DO NOT SIT ON ANY PART OF THE CHAIR EXCEPT THE SEAT.
4. DO NOT USE CHAIR ON UNEVEN FLOOR SURFACES.
5. DO NOT USE CHAIR UNLESS ALL BOLTS,SCREWS ARE TIGHT,AT LEAST EVERY SIX MONTHS CHECK ALL BOLTS,SCREWS TO BE SURE THEY ARE TIGHT.

IF ANY PARTS ARE MISSING,BROKEN,DAMAGED OR WORN,STOP USE OF THE PRODUCT UNTIL REPAIRS ARE MADE USING FACTORY AUTHORIZED PARTS.

FAILURE TO FOLLOW THESE WARNINGS COULD RESULT IN SERIOUS INJURY.