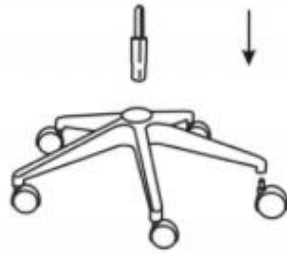
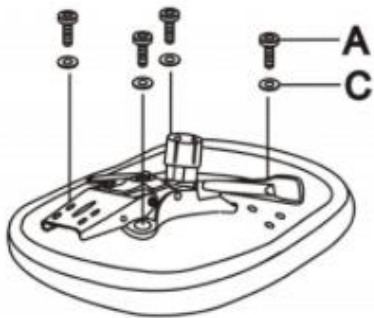


1



2



3













4



5



	1				1		C 4	 M6*25 X 4	A
	1		1		5		D 3	 M8*20 X 3	B